

**zumax**

We Create Value For Our Customers With Our Service

## OMS2380 R2 DENTAL MICROSCOPE



WWW.ZUMAXMEDICAL.COM

*For more information, please contact:*

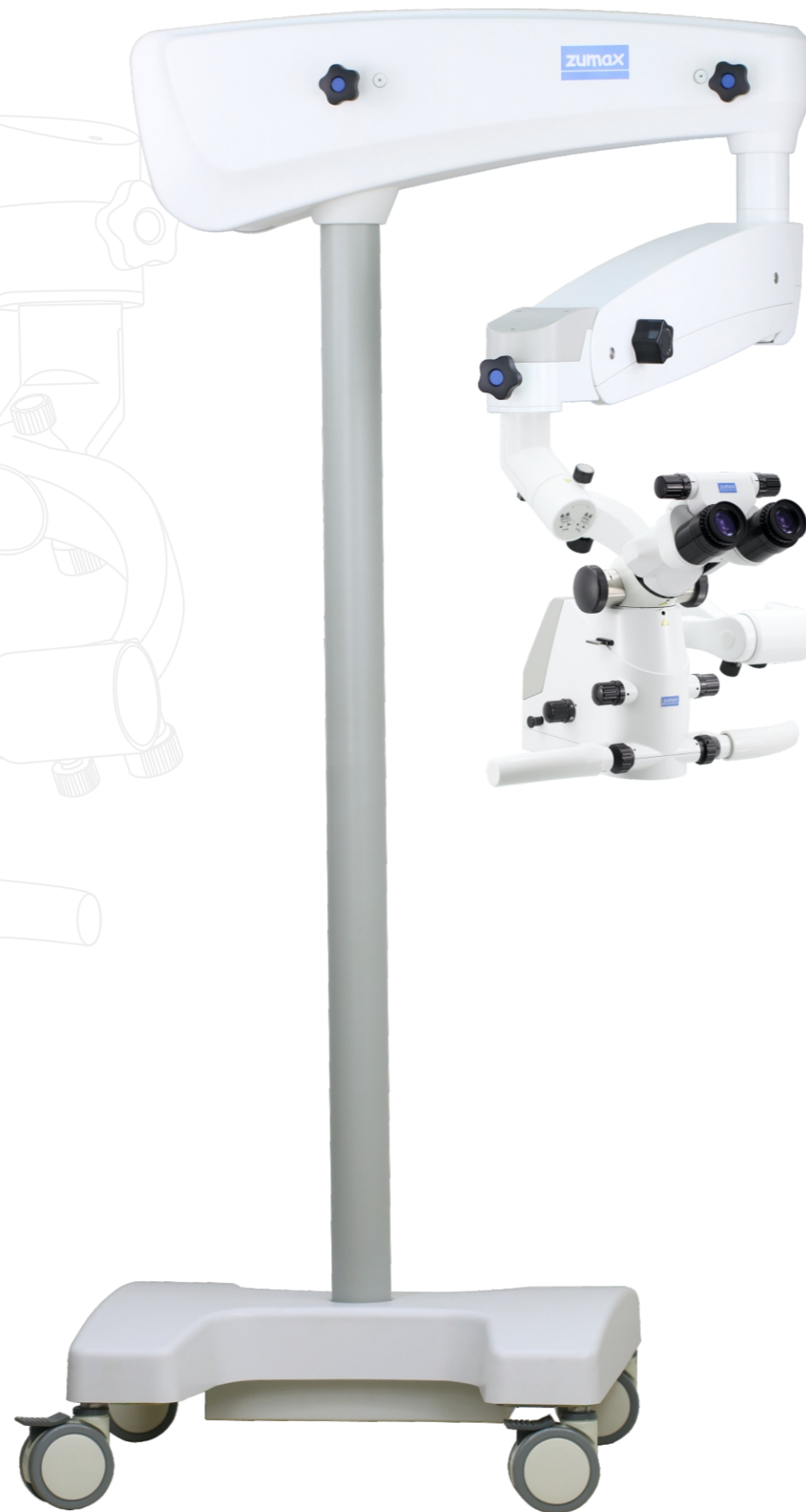
**ZUMAX MEDICAL CO.LTD.**

5 Zhiying Street, New district,  
Suzhou, Jiangsu 215129, P.R.China  
Tel. +86(512)6665 0502  
Fax. +86(512)6690 9655  
www.zumaxmedical.com  
Email: sales@zumaxmedical.com



# Advantages

- ▶ Zoom Magnification
- ▶ **Integrated 4K or 4K-3D camera System (optional)**
- ▶ VarioDist Objective Lens 200-450mm
- ▶ Super Balancing Arm
- ▶ One Hand Operation
- ▶ **AntiReflec Module (optional)**
- ▶ **FluoDet™ Fluorecent Module (optional)**
- ▶ **iMovCloud™ Image Management**
- ▶ **Twin Switchable LEDs illumination**



# MAGNIFICATION & ILLUMINATION



## HIGH QUALITY OPTICS

Optics made of imported glass from Germany to reduce the optical aberration. All lenses are multi-coated, anti-reflective, and apochromatic.



## WIDE-FIELD EYE PIECES

The wide-field eyepieces are easily pushed into the binocular tube and have integrated eyecups with stepless adjustment. The eyepieces are perfectly suited for surgeons who wish to work with their eyeglasses on, as eye refraction can easily be adjusted with a high range of  $\pm 7$ D diopter.

## MAGNIFICATION



Continuous zoom magnification is controlled through the adjustment knobs on both sides of the microscope head. Clinicians can single-handedly adjust image magnification from 1.8x to 19.4x.

## MagPlus1.5™ 180 deg inclinable binocular with PD adjusting knob (optional)

This MagPlus1.5 increase 50% magnification in the binocular.



## OPTICAL SYSTEM

### VarioDist Objective Lens

The focal point separation of the pair lines can be adjusted in the range of 200mm to 450mm, allowing for easy focusing during operation.

	0-180 deg inclinable binocular tube with PD	MagPlus1.5 180 deg inclinable binocular tube with PD
Magnification Adjustment	0.4x~2.4x	0.4x~2.4x
Magnification	1.8x~20x	2.7x~29x
Diameter of Field-of-view(mm)	124-11.6mm	82.5-7.7mm

## LIGHTING SYSTEM

### TruLED™ Illumination

Illumination: LEDs present many advantages over Halogen or Xenon sources including lower energy consumption, longer lifetime, improved robustness and durability and reliability.



### Secondary Lighting (optional)

The illuminance is higher than 170,000 Lux when the working distance at 250mm,

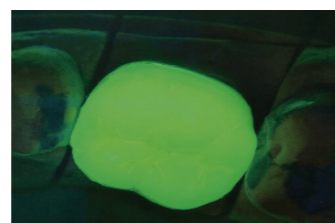
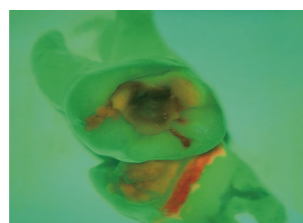
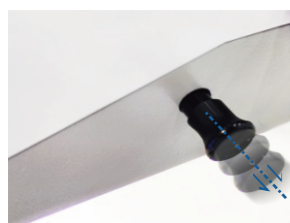


### BiLED™ Illumination

Backup light source for accidentally shutting down of the main LED Illumination.



### FluoDet™ Fluorescent Module (optional)



Excluding for the USA, FDA is under the process of registration.

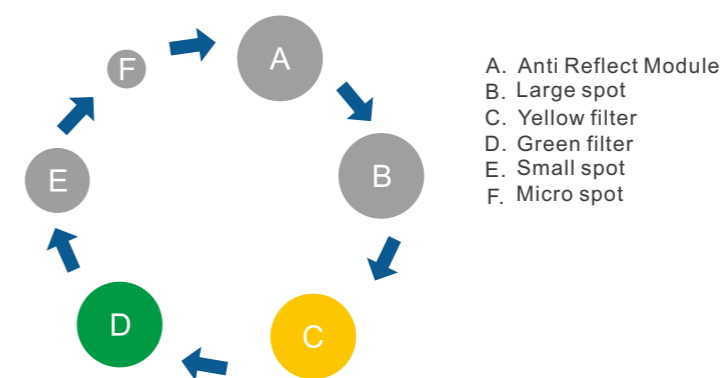
## INTEGRATED FILTERS

### Integrated Yellow & Green Filters, Illumination Filter

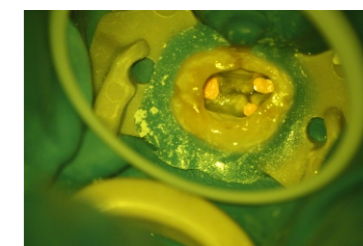
In addition to the two color filter of yellow and green, it is equipped with four pattern lighting range selector to reduce the burden to the eyes of the user.

**Yellow filter:** Prevents premature curing of composite.

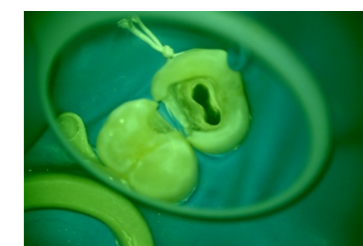
**Green filter:** Improves detail visibility by enhancing the (Red free) contrast of tissue with a strong blood supply.



Without filter



Yellow filter



Green filter (Red free)

### AntiReflect Module (Optional)



### Integrated Laser Filters (optional)

Argon:488~514nm  
 Diode:660nm  
 Diode:800~830nm

Diode 980nm& NdYag 1064nm



# IMAGE OUTPUT & RECORDING

## Integrated 4K Camera with USB disk

Zumax introduces outstanding UHD resolution and superior color performance, fidelity and economical. With outstanding performance, the camera outputs a whopping 3840/2160 resolution from HDMI interface with increased resolution up to 1800 TV lines.



Optional recording system as option that has the ability to take a still image or a video and save all data onto an internal U disk. Review photos by mouse instantly.



Multiple shooting methods by wireless footpedal set or the photo & video button on both handles.

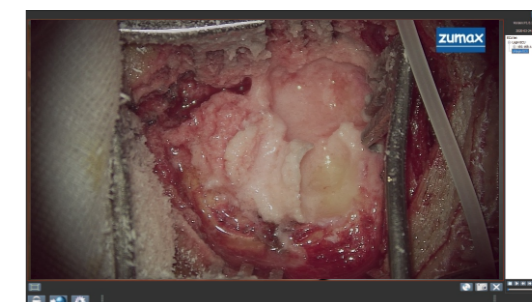
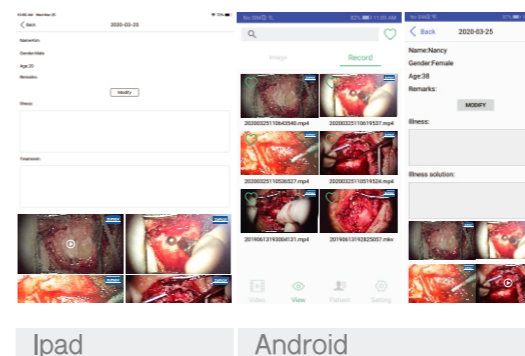
## iMovCloud™ Image Management

iMovCloud system has Single version, Intranet version and \*Cloud version.

iMovCloud Single version is an advanced and fully integrated surgical image management system which based on Windows platform. It is an ideal choice for worldwide dental clinics. Together with Zumax microscope to collect videos and images, integrate four major management functions of clinics, doctors, patients and medical records to realize the sorting, analysis and documentation.

"Intranet version" service, which realize local network viewing, maintenance, management easily, is coming soon.

"Cloud version" service, which realize cloud viewing, cloud maintenance, cloud management, remote joint inspection and other functions.



iPad      Android      Windows



# OPERATION SYSTEM



## OMS2380 R2 Dental Microscope



3D Smart Glasses: Espon moverio BT-35E

### 4K-3D (optional)

Twin 4K Cameras.

- Teaching or presenting in 3D mode which helps teachers and students learn through real time depth perception.
- Help patients to understand procedures clearly and better with 3D videos.
- Recorded 3D video in a SD card, can be viewed on 3D TV, 3D projectors and VR/AR viewers.
- Outputting real 3D streaming while the dentists are operating on microscope live.

### One Hand Operation



Take Photo & Video by pressing the button



Adjust the fine focus knob



Adjust the brightness intensity

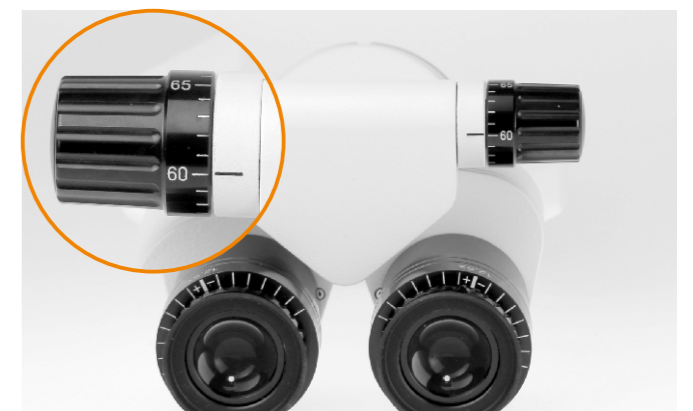


Change the magnification



### 0°-180°Inclinable Binocular Tube

Inclinable binoculars feature the widest range of any binoculars for user comfort and enhanced ergonomics for surgeons of all heights.



### Eye PD Adjusting Knob

Accurate pupillary distance numbers have been marked on the knob; the dentist can conveniently and quickly adjust to any PD.



**Pendulum Function(Optional)**

This function allows the user to remain in an upright viewing position, by changing the direction of the optic pod without changing the direction of the binocular head. this enhances user comfort and ergonomics.



Binocular Rotation Ring

+



Binocular Extender

or



Extender & Beam Splitter (20% : 80% or 50% : 50%)

**BALANCING ARM**

This Balancing Arm assures an ultra-smooth, fluid, and perfect balance during repositioning of the microscope. Even when external accessories have been attached, it balances the weight allowing smooth handling.



25°Right Inclination



Vertical Position



25°Left Inclination

# DIGITAL VISUALIZATION

Optional digital visualization accessories provide lossless live images or play-back to perform the steps of a procedure to patient's understanding and store the records for reviewing.



Easy360 Plus Mobile Phone Adapter



Rota 360 Digital Camera Adapter for Nikon/Sony/Canon



Digital Camera Adapter



Digital Camcorder Adapter for Nikon/Sony/Canon



Adapter for  
CANON / SONY / NIKON SLR  
Camera

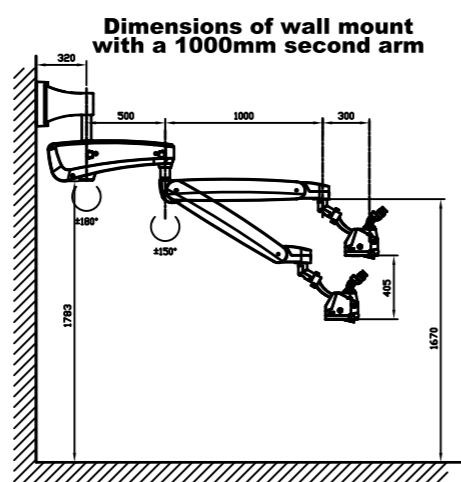
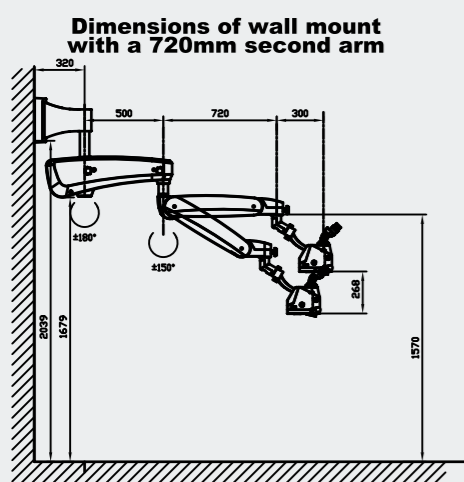
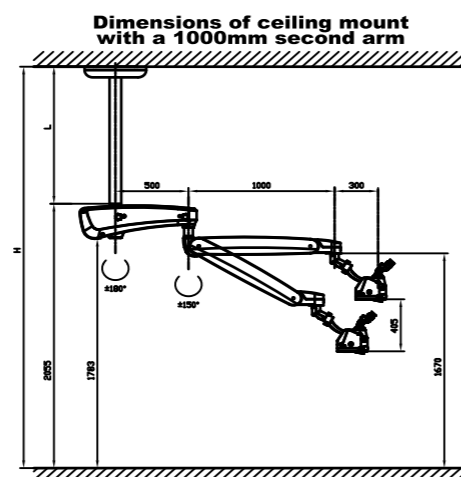
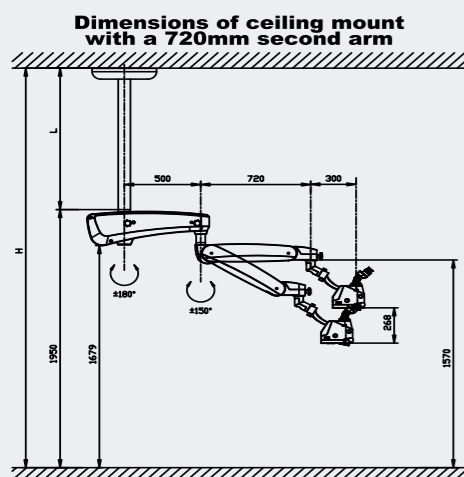
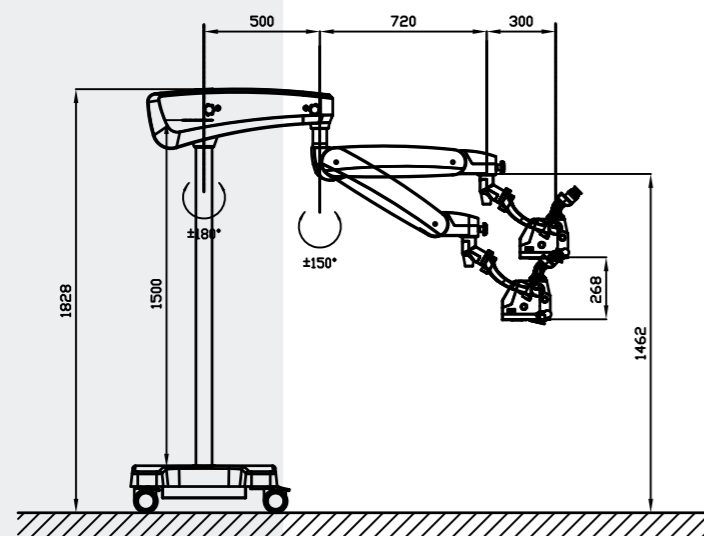
Adapter for  
CANON / SONY / NIKON  
Mirrorless Camera

Adapter for  
CANON / SONY / NIKON  
Camcorder

Adapter for Mobile Phone



# TECHNICAL CONFIGURATION



## Basic Configuration

Model	OMS2380 R2
Magnification System	Manual Zoom System, with apochromatic 1:6 ratio
	1.8x-20x with 12.5x eyepieces
	Magnification factor $\gamma=0.4X-2.4X$
	11.6mm-124mm with 12.5x eyepieces
Tubes	0°-180° inclinable binocular tube with PD adjusting knob, $f=170\text{mm}$
Eyepieces	12.5x wide-field eyepieces, also suitable for eyeglass wearers
Objective/Focus	VarioDist Objective Lens, variable working distance 200-450mm
Illumination System	Integrated true color LED illumination, (Optional under the preset without FluoDet™ Fluorescence Module selected) CT5500K/CRI 92>100,000 Lux at working distance 250mm
	Large light spot diameter: $\Phi 87\text{ mm}$ at working distance 250 mm
	Twin switchable LEDs, (Optional under the preset without FluoDet™ Fluorescence Module selected)
	Yellow and Green filters
Mount mobility	Super Balancing Arm
Handgrip	360 ° Rotatable Handgrip, can be sterilized
Construction	Floor Stand with "H" shaped base, 632x632mm

## Optional Configuration

Tubes	MagPlus1.5™ 0°-180° inclinable binocular tube with PD adjusting knob, boosts magnification by 50%
Eyepieces	12.5x wide-field eyepieces with reticle, also suitable for eyeglass wearers
	10x wide-field eyepieces, also suitable for eyeglass wearers
Illumination System	Adding a second LED illumination module, intensity at maximum magnification >170,000 Lux
	FluoDet™ Fluorescence Module
	AntiReflect Module
Laser Filter	Interchangeable laser filters: Argon: 488-514nm, Diode: 660nm, Diode: 800-830nm, Diode 980nm & NdYag 1064nm
Integrated Video System	Integrated 4K 1/1.2" Sony CMOS video camera streaming HDMI to desktop devices and mobiles with Windows PC/Android/iOS via Zumax App, transferred via WIFI or wired RJ45
	4K/3D, 2 x 1/1.2" Sony CMOS, 1 x 2D HDMI output and 1 x 3D HDMI output
Construction	Ceiling Mount, Wall Mount